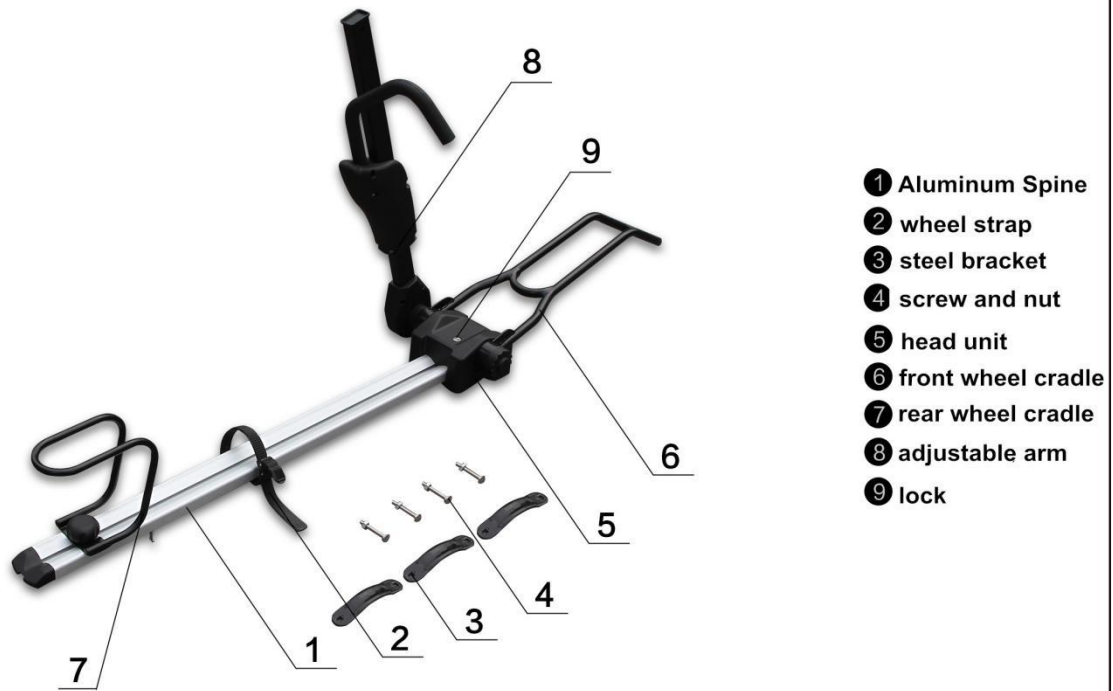


ROOF BIKE CARRIER

INSTRUCTIONS



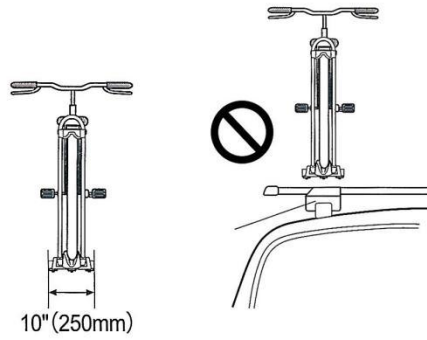
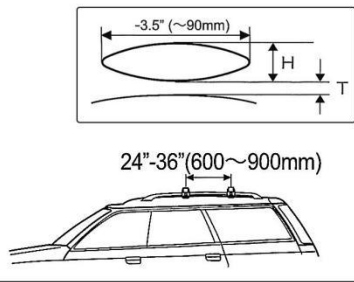
▼ PRODUCT ACCESSORIES



▼ FOLDED



INSTALLATION



1. install rear wheel cradle by T-bolt and tight



2. slide 2 T-bolts into the channels under the aluminum spine



3. place the rear aluminum spine on the rear cross bar and fix



4. place the head unit on the front cross bar and fix

INSTALLATION



5. fix the head unit by steel bracket



6. fix the rear aluminum spine by steel bracket



7. tight the screw on head unit



8. cover the head unit and lock



9. place bike onto the bike carrier



10. adjust the grip arm and secure the bike

INSTALLATION



loose the screw to adjust the position of rear wheel cradle according to the bike